

JCB LD2490 | COMPACT LOADER



A Product
of Hard Work

FAST FACTS

- Heavy-duty construction is reliable and durable
- Quickhitch attachment mounting system improves machine versatility
- Quick attach system makes fitment and removal of loader fast and easy
- High-lift capacity equals effective materials handling
- Single joystick control provides ease of operation



JCB COMPACT LOADER | LD2490

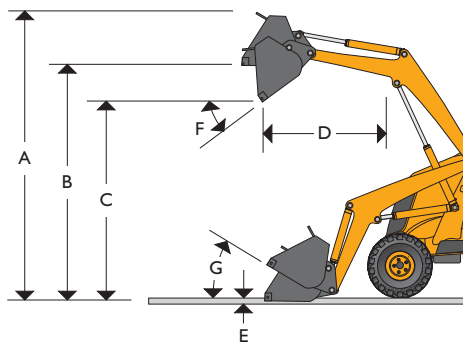


The JCB Compact Loader range has been designed to offer an effective lifting and handling solution for the JCB 331 & 335 Compact Tractors: available as standard or with 3 spool option. The heavy duty construction and quick-hitch attachment mounting system provide a tough and easy to use loader. Fitment and removal is a simple process, taking less than two minutes.

DIMENSIONS

Machine model		LD2490
A	Overall height	mm (in) 3050 (120)
B	Height of pivot pin	mm (in) 2460 (97)
C	Dump height	mm (in) 1895 (75)
D	Forward reach at maximum height	mm (in) 560 (22)
E	Dig depth	mm (in) 215 (8.5)
F	Dump angle	55°
G	Roll back at ground level	37°
	Shovel width	mm (in) 1300 (51)

(Dimensions may vary depending on tractor and tyre choice.)



WEIGHTS

Machine model		LD2490
Lift capacity at shovel pivot	kg (lb)	900 (1984)
Lift capacity at shovel pivot (at maximum height)	kg (lb)	400 (882)
Approx weight (inc. shovel and mounting brackets)	kg (lb)	450 (992)
Average weight of mounting brackets	kg (lb)	91 (200)

STANDARD EQUIPMENT

Standard loader with all necessary equipment for fitment to tractor including chassis mounting brackets.

OPTIONAL EQUIPMENT

- 3rd spool
- Transport damping system
- 1.3m & 1.5m bucket
- 1.3m 4in1 bucket (Auxiliary service required)
- Muck fork
- Bale spike
- Pallet forks
- Muck fork & grab (auxiliary service required)
- 225kg rear counterbalance (only required if no rear attachment is fitted)



JCB Attachments Limited, Rugeley, Staffordshire WS15 2WA.
Tel: 01889 572796. Fax: 01889 570043. Web: <http://www.jcb.com>

JCB cares for the environment.
This paper has been produced
without the use of elemental chlorine
chemicals in the bleaching process.

JCB reserves the right to change specifications without notice. Illustrations shown may include optional equipment and accessories.
The JCB logo is a registered trademark of J C Bamford Excavators Ltd.



9814/0201 9/06 Issue 1

A Product
of Hard Work