

JCB LD2060 | COMPACT LOADER



A Product
of Hard Work

FAST FACTS

- Heavy-duty construction is reliable and durable
- Quickhitch attachment mounting system improves machine versatility
- Quick attach system makes fitment and removal of loader fast and easy
- High-lift capacity equals effective materials handling
- Single joystick control provides ease of operation



JCB COMPACT LOADER | LD2060



The JCB Compact Loader range has been designed to offer an effective lifting and handling solution for the JCB 323 & 327 Compact Tractors. Fitment and removal is a simple process, taking less than two minutes. Quickhitch attachment mounting system is compatible with skid steer loader attachments.

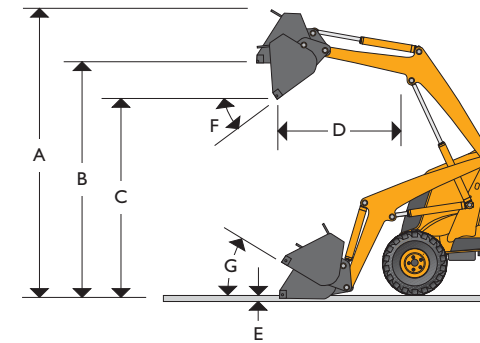
DIMENSIONS

Machine model	LD2060	
A Overall height	mm (in)	2238 (88)
B Clearance with attachment level	mm (in)	2067 (81)
C Dump height	mm (in)	1750 (69)
D Forward reach at maximum height	mm (in)	490 (19)
E Dig depth	mm (in)	80 (3.1)
F Dump angle		47°
G Roll back at ground level		35°
Shovel width	mm (in)	1270 (50)

(Dimensions may vary depending on tractor and tyre choice.)

WEIGHTS

Machine model	LD2060	
Lift capacity	kg (lb)	612 (1349)
Weight (without shovel and mounting brackets)	kg (lb)	335 (738)



STANDARD EQUIPMENT

- Standard loader with all necessary equipment for fitment to tractor including chassis mounting brackets
- Bucket level indicator
- GP shovel

OPTIONAL EQUIPMENT

Pallet forks.



JCB Attachments Limited, Rugeley, Staffordshire WS15 2WA.
Tel: 01889 572796. Fax: 01889 570043. Web: <http://www.jcb.com>

JCB cares for the environment.
This paper has been produced without the use of elemental chlorine chemicals in the bleaching process.

JCB reserves the right to change specifications without notice. Illustrations shown may include optional equipment and accessories.
The JCB logo is a registered trademark of J C Bamford Excavators Ltd.



9814/0197 9/06 Issue 1

A Product of Hard Work